



T9622 MIDI GPIO INTERFACE



Maße:

19"-1HE 140mm Tief

Stromversorgung :

110V ... 240V AC 5W

MIDI-IO :

MIDI-IN 5pol. DIN
MIDI-OUT 5pol. DIN
MIDI-THRU 5pol. DIN

GPIO 1-8 :

37pol. D-SUB-FEMALE

EINGÄNGE :	Aktiv gegen GND	Max. 6mA
AUSGÄNGE :	MOS-RELAIS	Max. 250mA

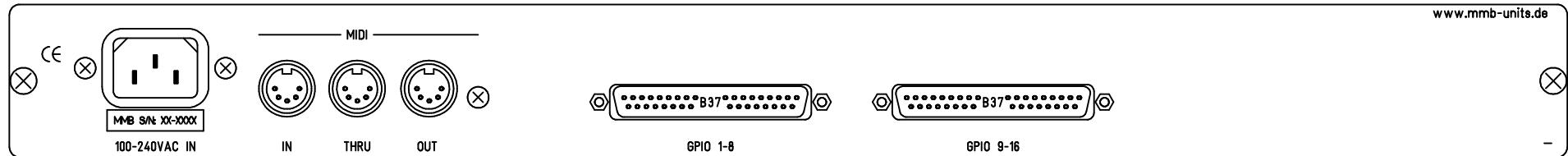
GPIO 9-16 :

37pol. D-SUB-FEMALE

EINGÄNGE :	Opto-Isoliert	Max. 6mA @5V Max. 50mA @ 24V
AUSGÄNGE :	MOS-RELAIS	Max. 250mA

Product Information

This document contains information for a MMB product.
MMB GmbH reserves the right to modify this product without notice.
Copyright © AUDIO INTEGRATED UNITS MMB GmbH 2020 (All Rights Reserved)

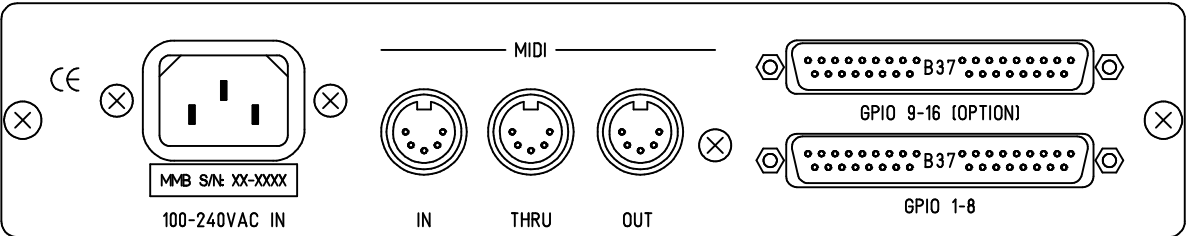
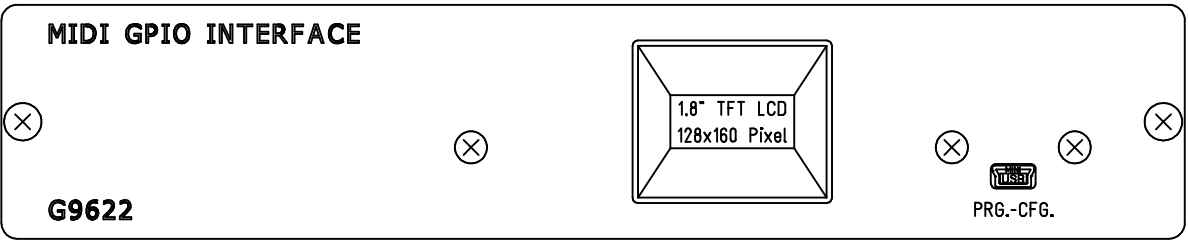


Tiefe 140mm


				Maßstab: 1:1.25	T9622
					Ansicht
					Frd.-Zchnng.:
					Ansicht
Index	Datum	Name	Anderung		
Gez.	23.11.20	Guersan			
Erst.					
Gepr.					

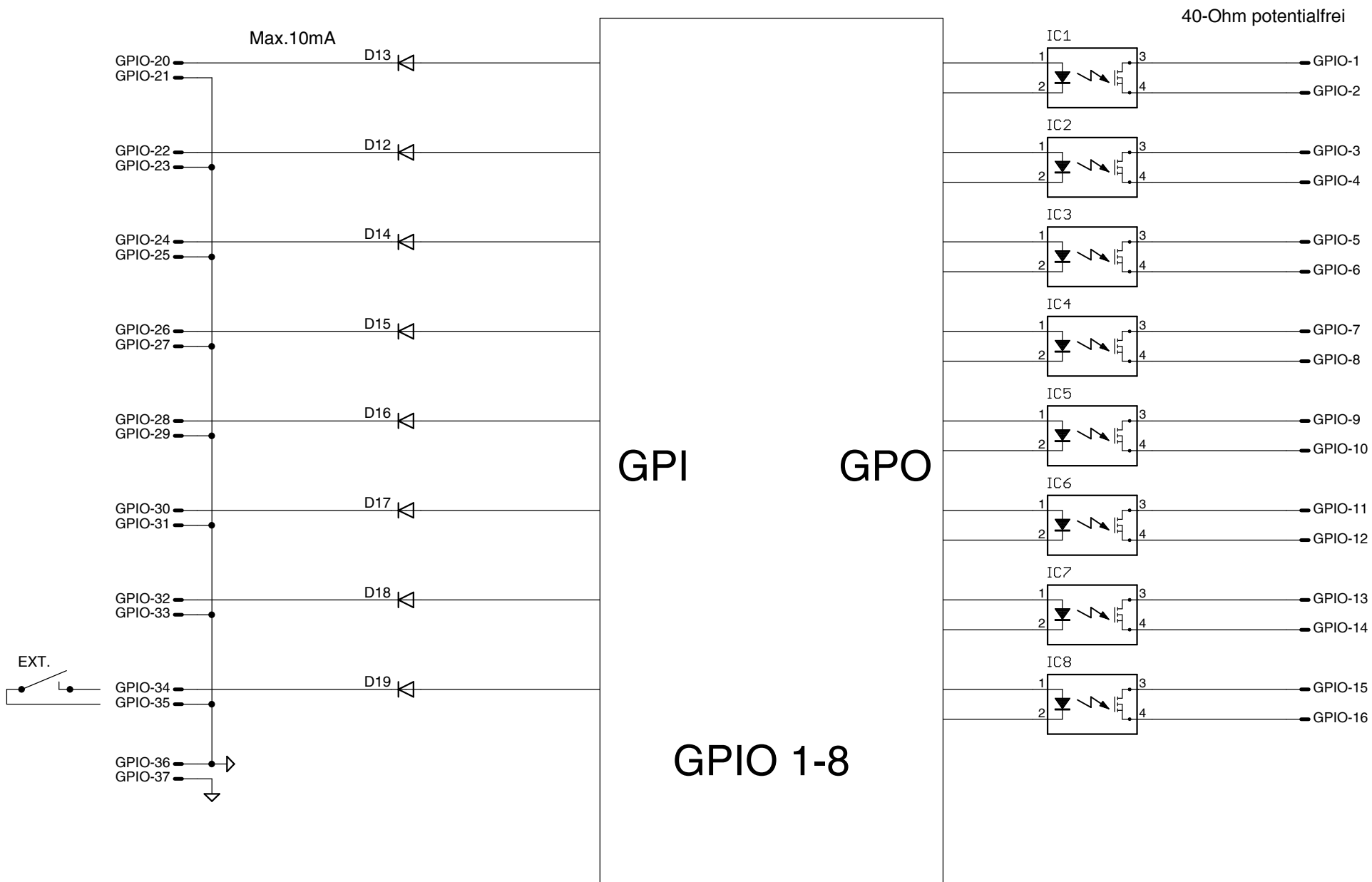


MIDI GPIO INTERFACE



Tiefe 140mm

				Maßstab:	1:1	G9622
						Ansicht
						Frd.-Zehng.:
						Ansicht
Index	Datum	Name	Anderung			
Gez.	21.11.20	Guersan				
Erst.						
Gepr.						



GPIO-1-8

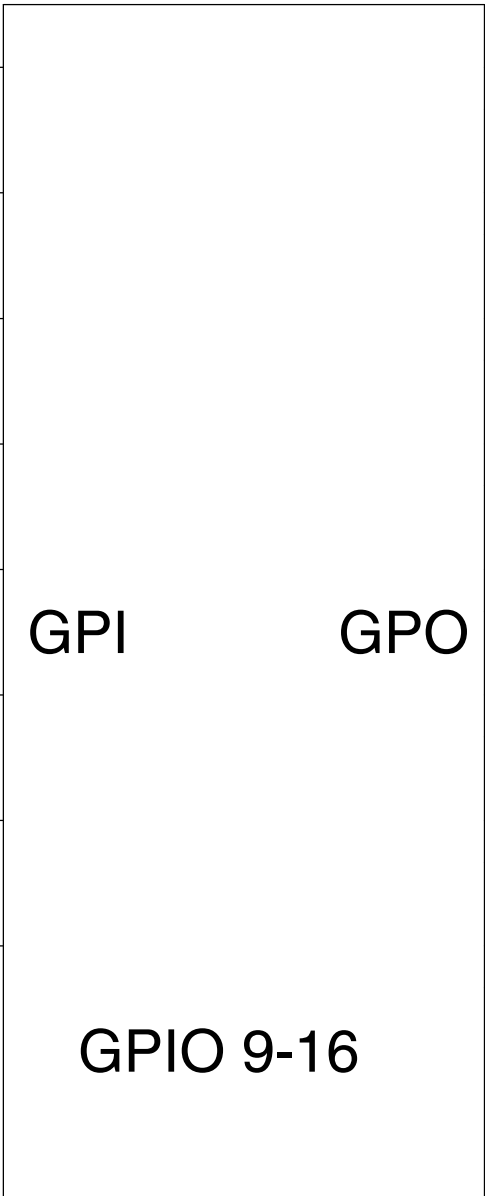
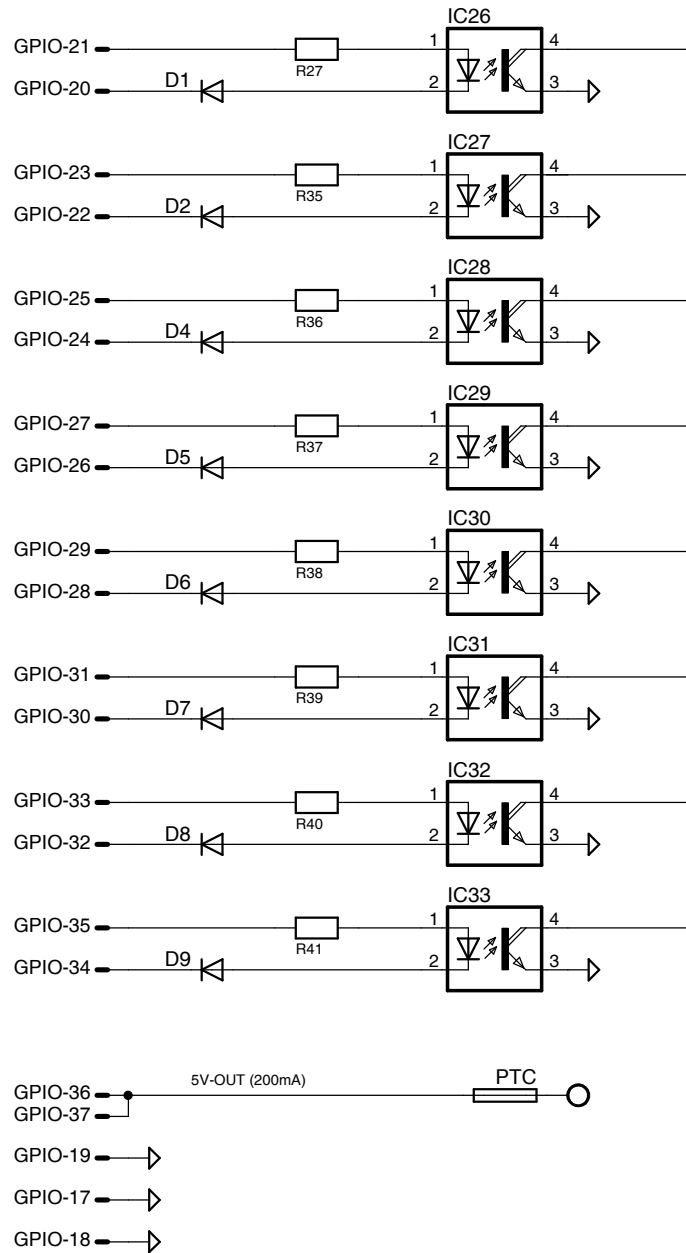
Copyright © MMB GmbH 2018 (All Rights Reserved)
MMB GmbH reserves the right to modify this product without notice

28.01.2021 12:04

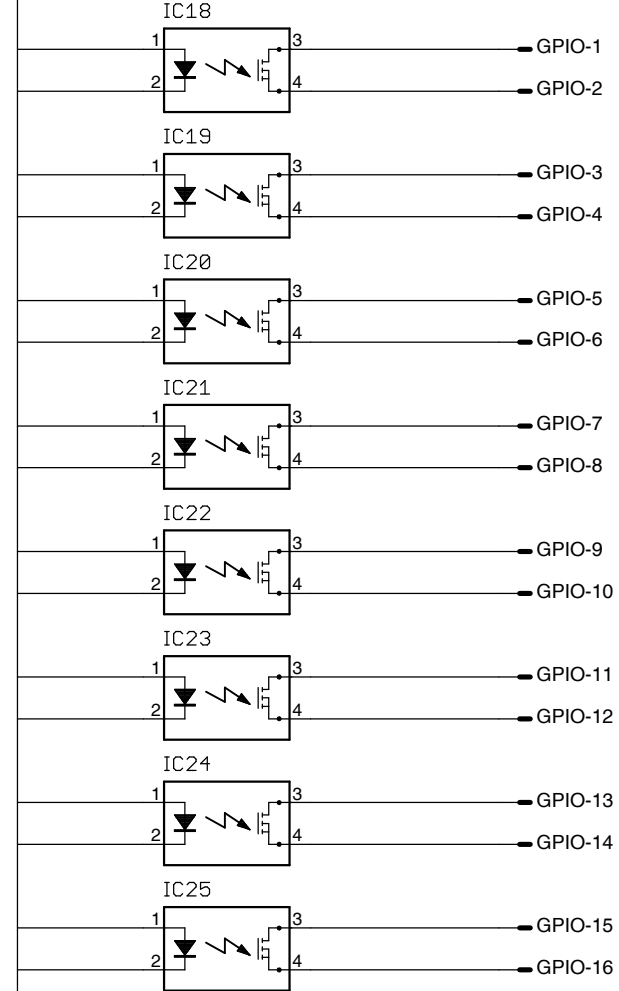
Designed by : M.Gürsan CONNECTION1

Sheet: 1/1

GPI-INPUTS (5V-24V max. 10mA)



40-Ohm. Potentialfrei



GPIO 9-16

Copyright © MMB GmbH 2018 (All Rights Reserved)
MMB GmbH reserves the right to modify this product without notice

28.01.2021 12:05

Designed by : M.Gürsan CONNECTION2

Sheet: 1/1

S64039 [NDR-ANG]
S64028 [NDR-AH]
G9316 [Radio-FFH]
T8251 [MOD WTDG]
NGT8767
T1102
T7108
T8252
S61122
NGT8759
T2510
T9329
EK1510
T7051_REV8
S63068-RCU
NGT8747
NGT8757
T9622

UPGRADE FIRMWARE

UPGRADE DSP

CONNECT DEVICE

COM1



CHECK SERIAL PORTS

MIDI-command:

SA0 - Polyphonic After-touch

channel:

S00 - Channel 1

data byte 1:

S00

data byte 2:

S00

assign to 'GPI 01 ON'

pulse duration:

- 100ms
 250ms
 500ms
 1.000ms

display mode:

- binary
 decimal
 hexadecimal

save to file

load from file

 pass through received MIDI commands to MIDI OUT

GPI 1-8

- GPI 01 ON - SA0 S01 S01
 GPI 01 OFF - SB0 S01 S01
 GPI 02 ON - SA1 S02 S02
 GPI 02 OFF - SB1 S02 S02
 GPI 03 ON - SA2 S03 S03
 GPI 03 OFF - SB2 S03 S03
 GPI 04 ON - SA3 S04 S04
 GPI 04 OFF - SB3 S04 S04
 GPI 05 ON - SA4 S05 S05
 GPI 05 OFF - SB4 S05 S05
 GPI 06 ON - SA5 S06 S06
 GPI 06 OFF - SB5 S06 S06
 GPI 07 ON - SA6 S07 S07
 GPI 07 OFF - SB6 S07 S07
 GPI 08 ON - SA7 S08 S08
 GPI 08 OFF - SB7 S08 S08

GPI 9-16

- GPI 09 ON - SA8 S11 S11
 GPI 09 OFF - SB8 S11 S11
 GPI 10 ON - SA9 S12 S12
 GPI 10 OFF - SB9 S12 S12
 GPI 11 ON - SAA S13 S13
 GPI 11 OFF - SBA S13 S13
 GPI 12 ON - SAB S14 S14
 GPI 12 OFF - SBB S14 S14
 GPI 13 ON - SAC S15 S15
 GPI 13 OFF - SBC S15 S15
 GPI 14 ON - SAD S16 S16
 GPI 14 OFF - SBD S16 S16
 GPI 15 ON - SAE S17 S17
 GPI 15 OFF - SBE S17 S17
 GPI 16 ON - SAF S18 S18
 GPI 16 OFF - SBF S18 S18

GPO 1-8

- GPO 01 ON - S90 S3C S00
 GPO 01 OFF - S80 S3C S00
 GPO 02 ON - S90 S3E S00
 GPO 02 OFF - S80 S3E S00
 GPO 03 ON - S90 S40 S00
 GPO 03 OFF - S80 S40 S00
 GPO 04 ON - S90 S41 S00
 GPO 04 OFF - S80 S41 S00
 GPO 05 ON - S90 S43 S00
 GPO 05 OFF - S80 S43 S00
 GPO 06 ON - S90 S30 S00
 GPO 06 OFF - S80 S30 S00
 GPO 07 ON - S90 S47 S00
 GPO 07 OFF - S80 S47 S00
 GPO 08 ON - S90 S48 S00
 GPO 08 OFF - S80 S48 S00

 GPO 01 PULSE GPO 02 PULSE GPO 03 PULSE GPO 04 PULSE GPO 05 PULSE GPO 06 PULSE GPO 07 PULSE GPO 08 PULSE

GPO 9-16

- GPO 09 ON - S91 S3C S00
 GPO 09 OFF - S81 S3C S00
 GPO 10 ON - S91 S3E S00
 GPO 10 OFF - S81 S3E S00
 GPO 11 ON - S91 S40 S00
 GPO 11 OFF - S81 S40 S00
 GPO 12 ON - S91 S41 S00
 GPO 12 OFF - S81 S41 S00
 GPO 13 ON - S91 S43 S00
 GPO 13 OFF - S81 S43 S00
 GPO 14 ON - S91 S30 S00
 GPO 14 OFF - S81 S30 S00
 GPO 15 ON - S91 S47 S00
 GPO 15 OFF - S81 S47 S00
 GPO 16 ON - S91 S48 S00
 GPO 16 OFF - S81 S48 S00

 GPO 09 PULSE GPO 10 PULSE GPO 11 PULSE GPO 12 PULSE GPO 13 PULSE GPO 14 PULSE GPO 15 PULSE GPO 16 PULSE

show help

COM1

REFRESH PORTS

READ DEVICE CONFIG

APPLY