



T7108 AUDIO MONITORING UNIT



INPUTS :

- 1 x AES
- 1 X STEREO ANALOG (XLR)
- 1 x MIKROFON

MONITORING FUNCTIONS :

- SOURCE : AES / ANALOG
- MATRIX : STEREO, MONO, LL, RR, CUT-LSP

OUTPUTS :

- 1 x AES
- 1 X STEREO ANALOG (XLR)

GPIO :

TALLY INPUT : DIM / CUT

SPEAKERS :

2 x 2W

REGULATORS :

VOLUME , BALANCE

DISPLAY :

PPM

SOFTWARE :

CONFIGURATION	MMB-CONFIG-SOFTWARE	USB-PORT
FIRMWARE UPGRADEABLE	MMB-CONFIG-SOFTWARE	
CUSTOMIZING	INQUIRE	info@mmb-units.de

Product Information	This document contains information for a MMB product. MMB GmbH reserves the right to modify this product without notice. Copyright © AUDIO INTEGRATED UNITS MMB GmbH 2020 (All Rights Reserved)
----------------------------	---



TECHNICAL SPECIFICATIONS

PHYSICAL SPECIFICATIONS :

19"-1U 150mm (D)

SUPPLY :

110V-AC ... 240V-AC (15W)

CONVERTER AD/DA :

24-BIT DELTA-SIGMA 15dBu@0dBFS

INPUTS :

AES (XLR) PULSE TRANSFORMER INPUT 110-Ohm
 INPUT LEVEL > 240mV [p-p]
 FRAME-RATE 44.1 ... 96kHz

LINE (XLR) BALANCED
 IMPEDANCE 20kOhm
 MAX.LEVEL 24 dBu

MICROPHONE (XLR) GAIN :
 48V – PHANTOM

OUTPUTS :

AES PULSE TRANSFORMER OUTPUT 110-Ohm
 OUTPUT LEVEL > 3,5V [p-p]
 FRAME-RATE 48kHz

LINE BALANCED
 IMPEDANCE 50 Ohm
 MAX.LEVEL 24 dBu

INTERNAL SPEAKERS :

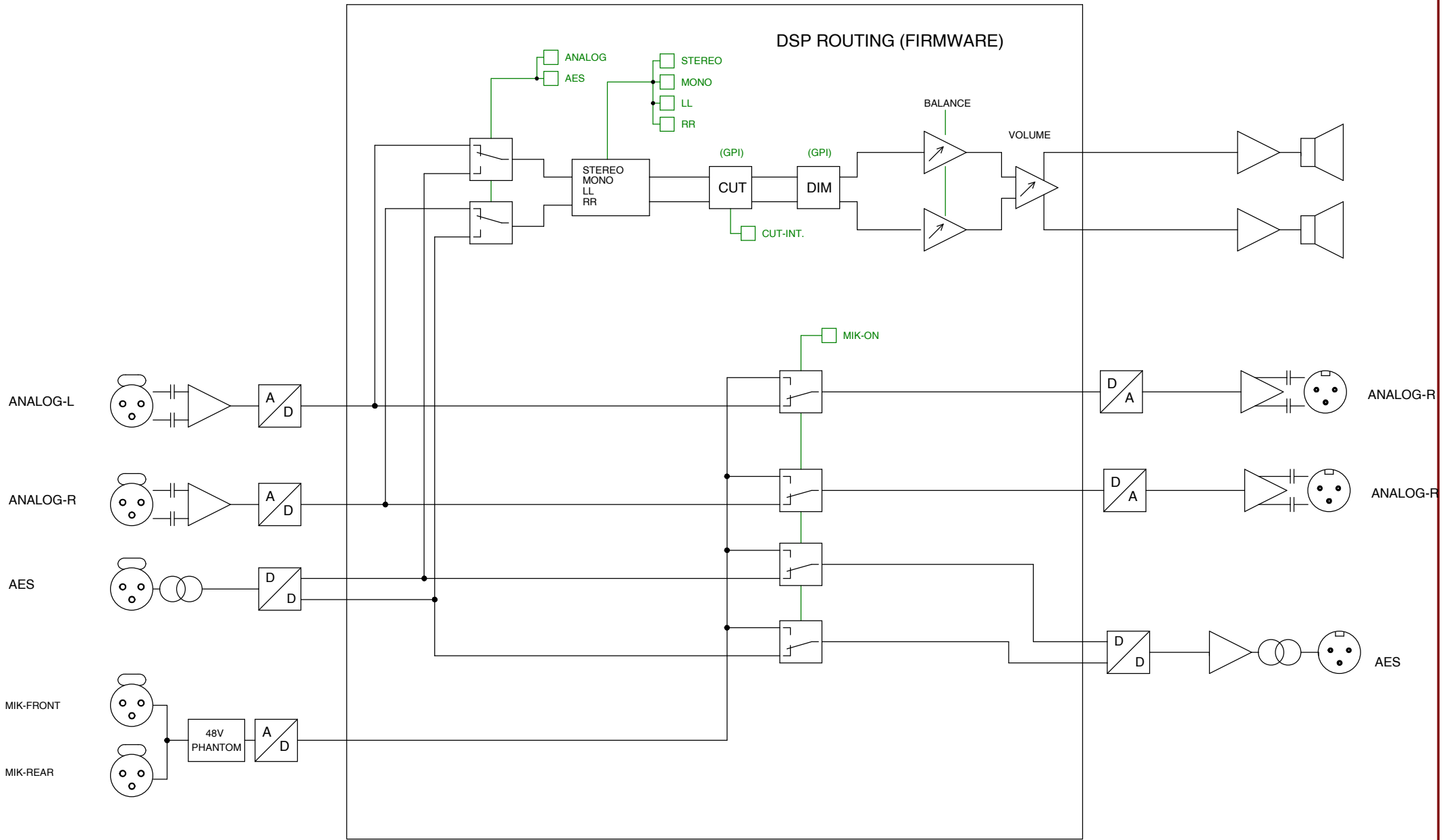
2 x 2W CLASS-D

GPIO :

CONNECTOR 9-POL.D-SUB-MALE
GPI-DIM (TALLY) PIN 1
GPI-CUT (TALLY) PIN 2
COMMON (GND) PIN 9

Product Information

This document contains information for a MMB product.
MMB GmbH reserves the right to modify this product without notice.
Copyright © AUDIO INTEGRATED UNITS MMB GmbH 2020 (All Rights Reserved)



T7108

Copyright © MMB GmbH 2016 (All Rights Reserved)
MMB GmbH reserves the right to modify this product without notice

