



AUDIO INTEGRATED UNITS MMB GmbH

Kleine Twiete 72  
D-25436 Uetersen  
Fon +49(0)4122 9790321  
Fax +49(0)4122 9790329  
info@mmb-units.de

## T7018 AUDIO MONITORING UNIT



### EINGÄNGE :

AES	110-Ohm	Min.Level [240mV p-p]	
LWL	Toslink	Max. Level 15dBu	Impedanz 20-kOhm
Sample-Rate	44.1kHz ... 96kHz		

### Ausgänge(Record):

AES	110-Ohm
Level	3,9V [p-p]@110-Ohm
Sample-Rate	48kHz
Gain :	-30db ... +30dB

### Ausgänge(Monitor):

Impedanz	50-Ohm, elektronisch symmetrisch
Max. Pegel	+15dBu @ 0dBFS
THD+N	< 85dB

### Ausgänge(Phones):

Last	30-Ohm ... 600-Ohm
Max. Pegel	+15dBu @ 0dBFS
THD+N	< 77dB

### GPI EXT-DIM-CUT :

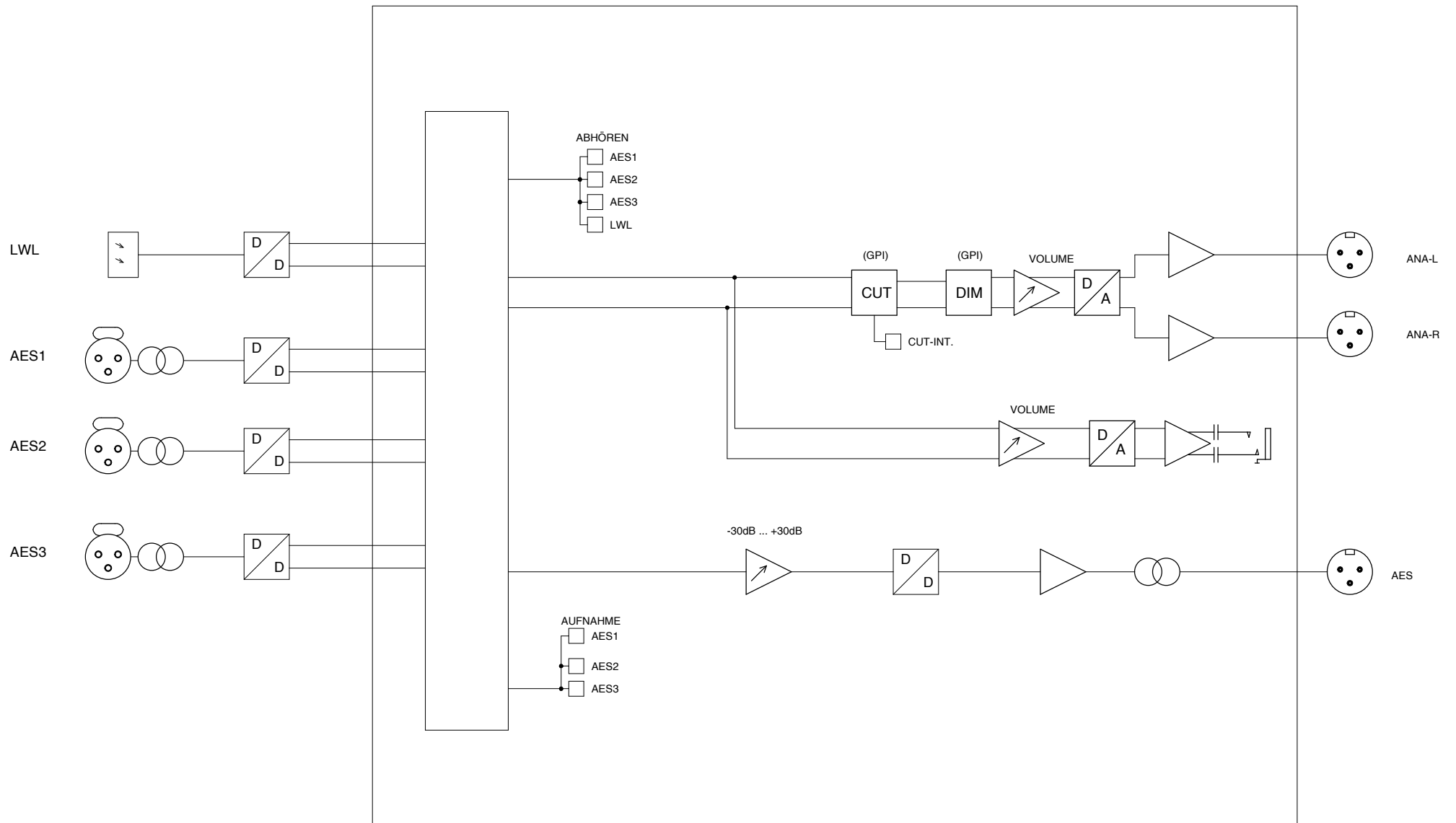
Pin.1	DIM
Pin.2	CUT
Pin.5	GND

### SOFTWARE :

Upgrade für Controller und DSP über USB möglich

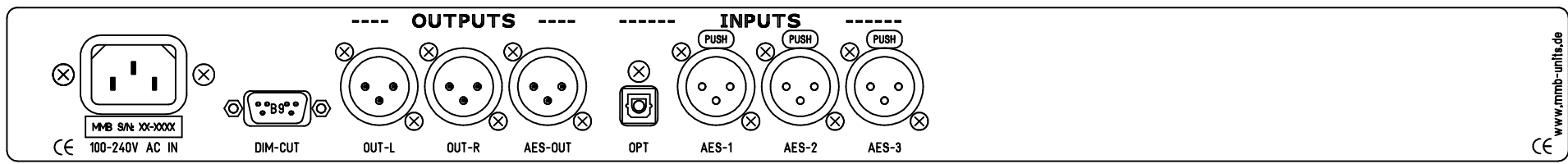
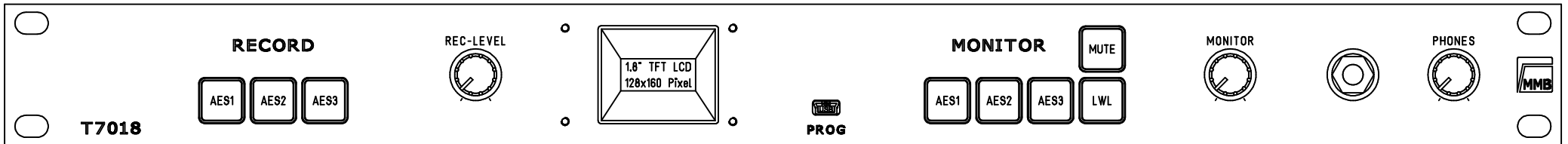
#### Product Information

This document contains information for a MMB product.  
MMB GmbH reserves the right to modify this product without notice.  
Copyright © AUDIO INTEGRATED UNITS MMB GmbH 2020 (All Rights Reserved)



T7018

Copyright © MMB GmbH 2016 (All Rights Reserved)  
MMB GmbH reserves the right to modify this product without notice



AUDIO INTEGRATED UNITS MMB GmbH © 2020

Gez.	Datum	Name	Maßstab
	08.12.20	Guersan	1:1,25

Monitoring Unit T7018